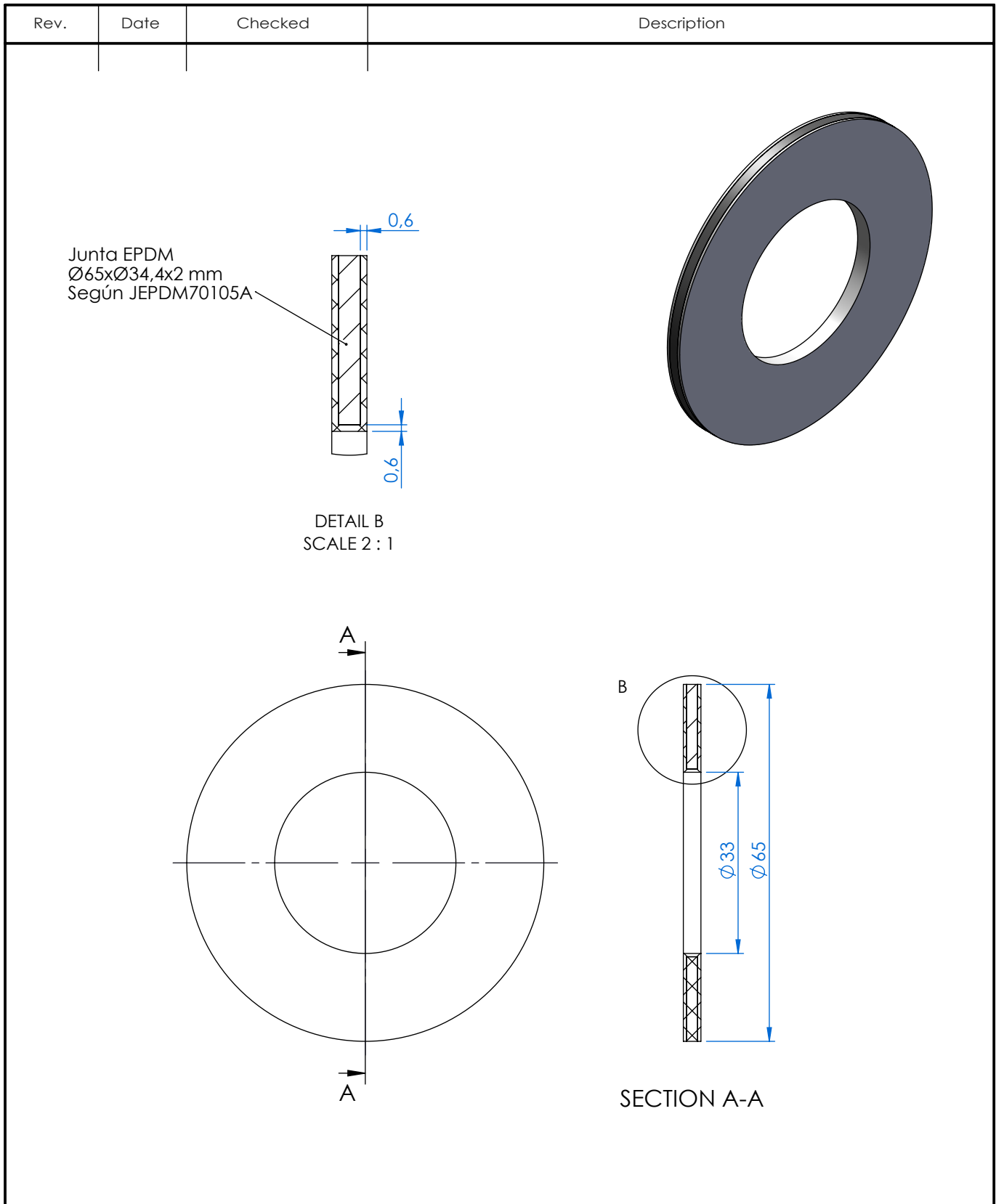


The information contained in this drawing is the sole property of Merefesa. It must not be copied or used for production or communicated to a third party, without the expressed written permission of this company.



Tolerances: According to customer			Dim.: $\varnothing 65 \times \varnothing 33 \times 3,20$ mm	Material/Aditive: PTFE
			Weight: 18.29 g	Hardness:
	Date	Name	MOQ: 0	Color: Signal white
Designed	28/12/2017	J. M.	OF: OF105D	
Verified	28/12/2017	R. J.	File Name: JPTFE105B	
Approved	28/12/2017	R. J.	Customer Ref.:	
Production			Title:	
Quality			Ref.:	
			<h1>JPTFE105B</h1>	Scale: 1:1
				Format: A4 Sheet: 1/1